



ELECTRIC MOTORS



Vehicles



Marine



Hybrid



Robotics



Traction



Industrial



✓ EFFICIENT

✓ LIGHT

✓ POWERFUL

PERMANENT MAGNET DC ELECTRIC MOTORS

LIGHT WEIGHT

8.5kg Weight

EFFICIENT

Up to 90% efficiency

RELIABLE

Limited moving parts

ECO FRIENDLY

No emissions
No fuel

POWERFUL

Available from 12v to 60v

LOW COST

Save on fuel bills

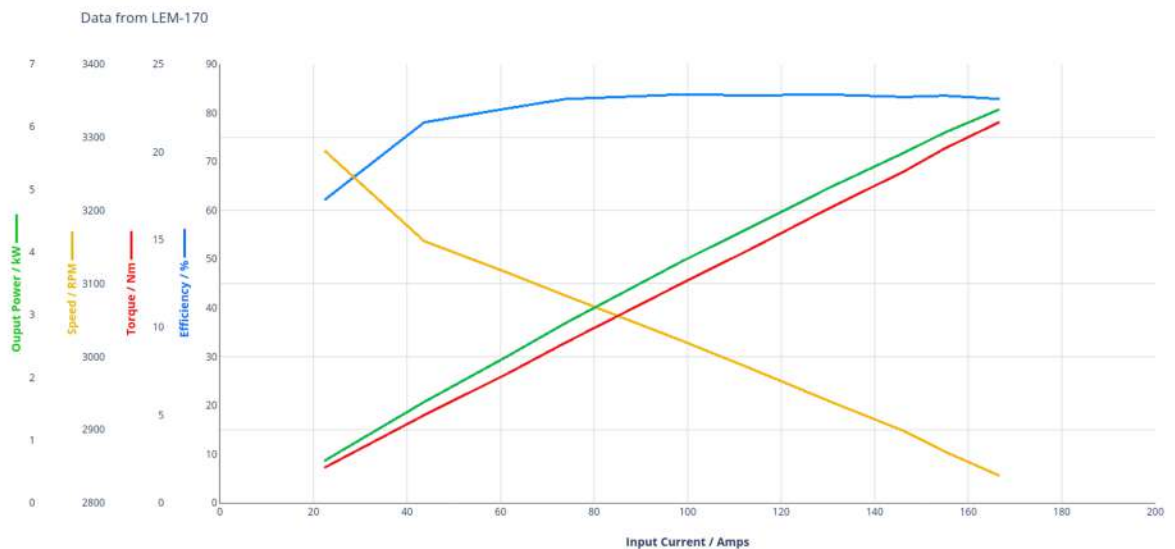
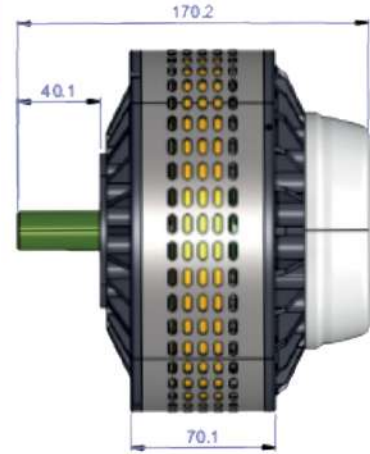
MOTORS LEM-170

Overview

The LEM-170 is an 8 pole axial gap DC brushed motor suitable for traction and industrial applications.

Key Features

- CE marked
- Simple electronic control
- Durable construction
- Speed proportional to voltage
- Interchangeable shaft
- Magnet grade dependent on application
- Available in 95, 126 and 127 strip armatures Ip20 rating



Applications



Compressors, Sweepers & Pumps



Mopeds



Golf Carts

MOTORS LEM-170

The LEM-170 is an axial gap DC brushed motor suitable for traction and industrial applications.



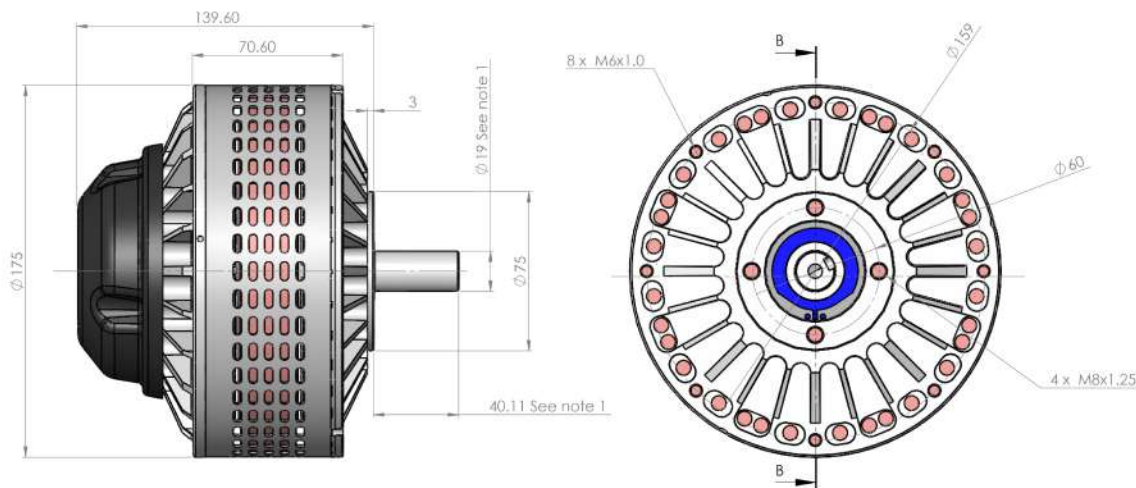
✓ EFFICIENT ✓ LIGHT ✓ POWERFUL

PERMANENT MAGNET DC ELECTRIC MOTORS

Technical Data

Motor	No load Current A	Torque Constant Nm/A	Speed Constant Rpm/V	Armature Resistance DC mΩ	Armature Inductance @ 15kHz pH	Armature Inertia Kg·m ²	Peak Power KW	Peak Efficiency %	Peak Current A	Rated Power kW	Rated Speed Rpm	Rated Voltage V	Rated Current A	Rated Torque Nm
D127	4	0.134	68	21	15	0.0236	21	90	400	7	3720	60	140	18.2
127	5	0.12	75	24	23	0.0236	16	89	400	5	3264	48	140	16.2
95	8	0.101	95	21	18	0.0238	16	88	400	7	3420	36	1.90	14

SECTION A-A (Scale 0.75)



Additional Information

All Lynch motors come with a 2 year warranty and are fully tested before delivery to our customer. Each motor is built to order in our UK factory by our skilled team, lead times for orders are dependent on volume and current order book, please ask for a production time frame when ordering. We are happy to discuss your application requirements with you, any recommendations our team make are based on the information you provide us.